

PANEL SAW

# Acurate Z500

The foundation of every workshop.

The machine that draws the line.

**The foundation of Acurat.**



THE HEART OF THE MACHINE

# Sliding table

- Newly milled top surface for even smoother movement.
- Lock with full-length stop positions.
- New PETG ball cage: quieter, more precise, and more durable.
- Updated dust seal, stable after years of use.





SMALL CHANGE. BIG  
DIFFERENCE.

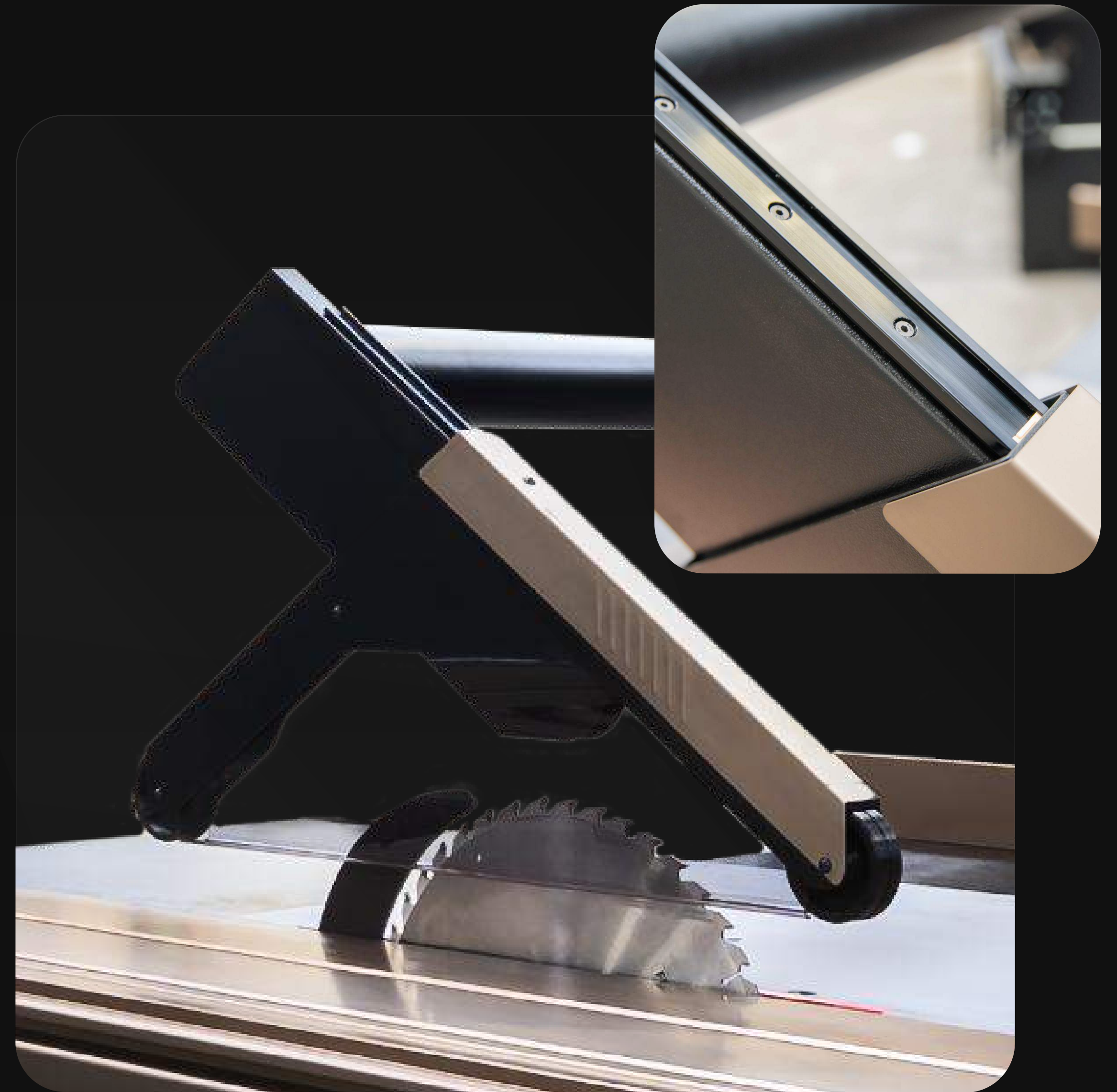
## Handle

- New two-piece design. Stronger, more stable, more precise.
- New positioning closer to the locking lever.
- Better grip, faster operation.
- One movement, and you'll feel the difference.

LIGHTER. SMARTER. MORE BEAUTIFUL.

# Dust extraction hood

- New IGUS guides for smooth, stable movement.
- A retractable spring absorbs the weight—effortless operation.
- Intuitive operation, immediately understandable.
- Completely redesigned in the Acurat design—powerful and elegant.

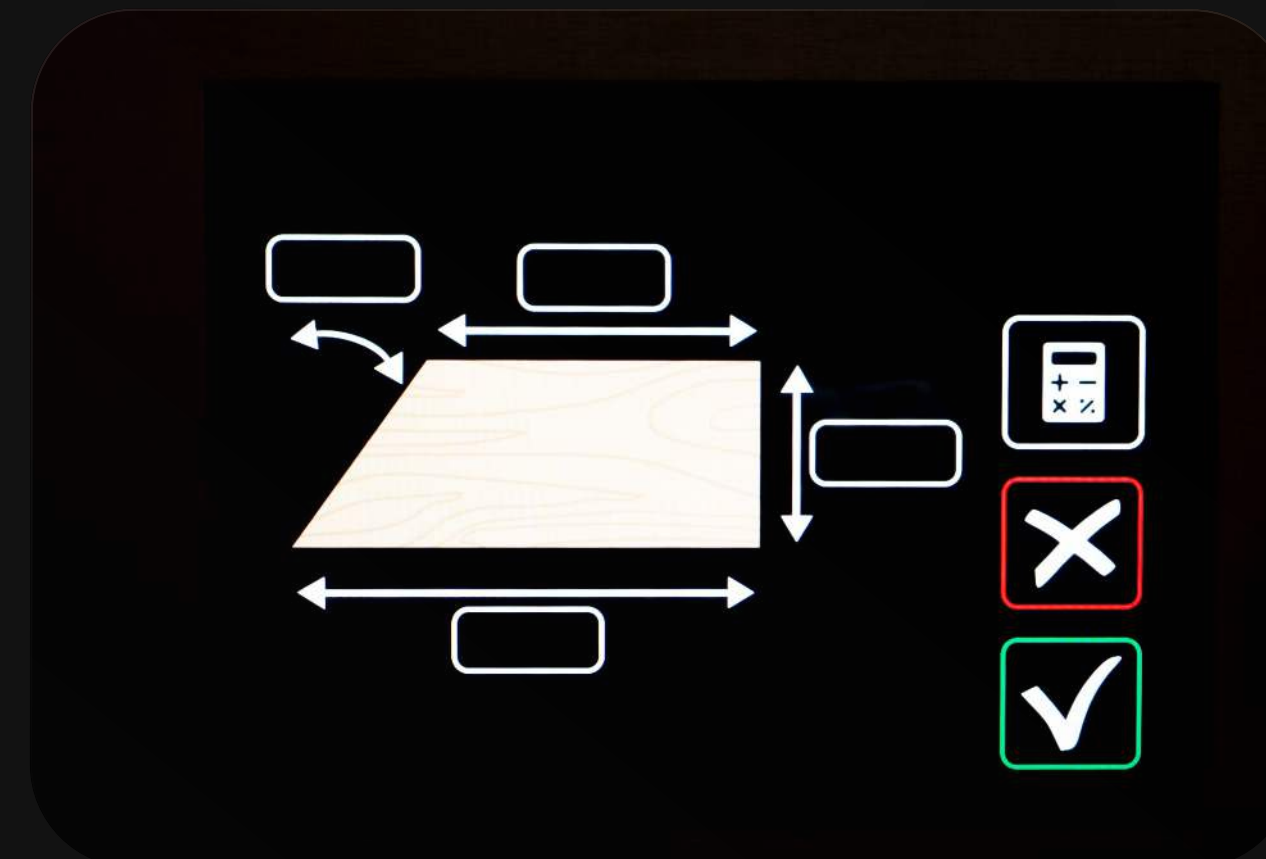
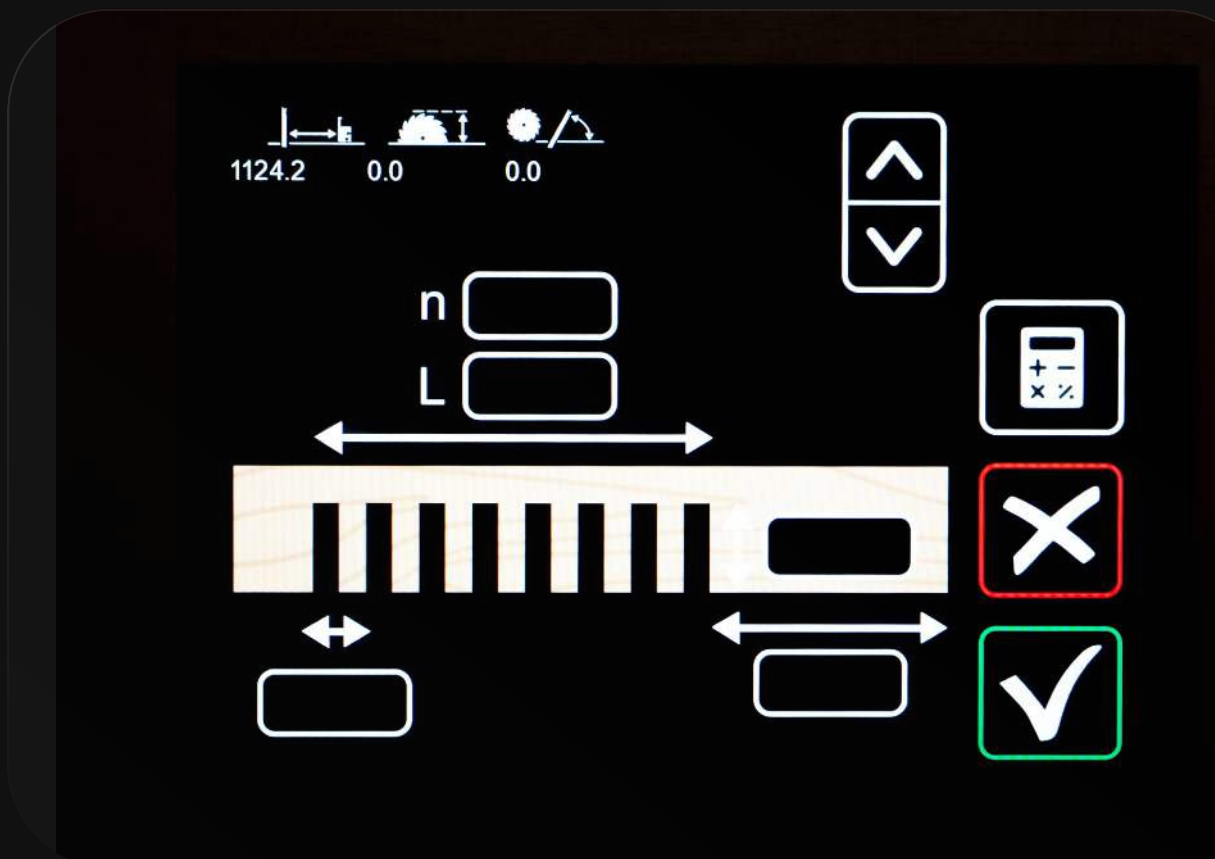




SIMPLICITY MEETS INTELLIGENCE.

# Control

- New top-hinged controls – always within reach.
- 12” screen with an intuitive interface.
- The entire scoring position is digitally controlled.
- Smarter software with calculation functions and geometric shapes.
- Everything designed for simplicity, speed, and precision.

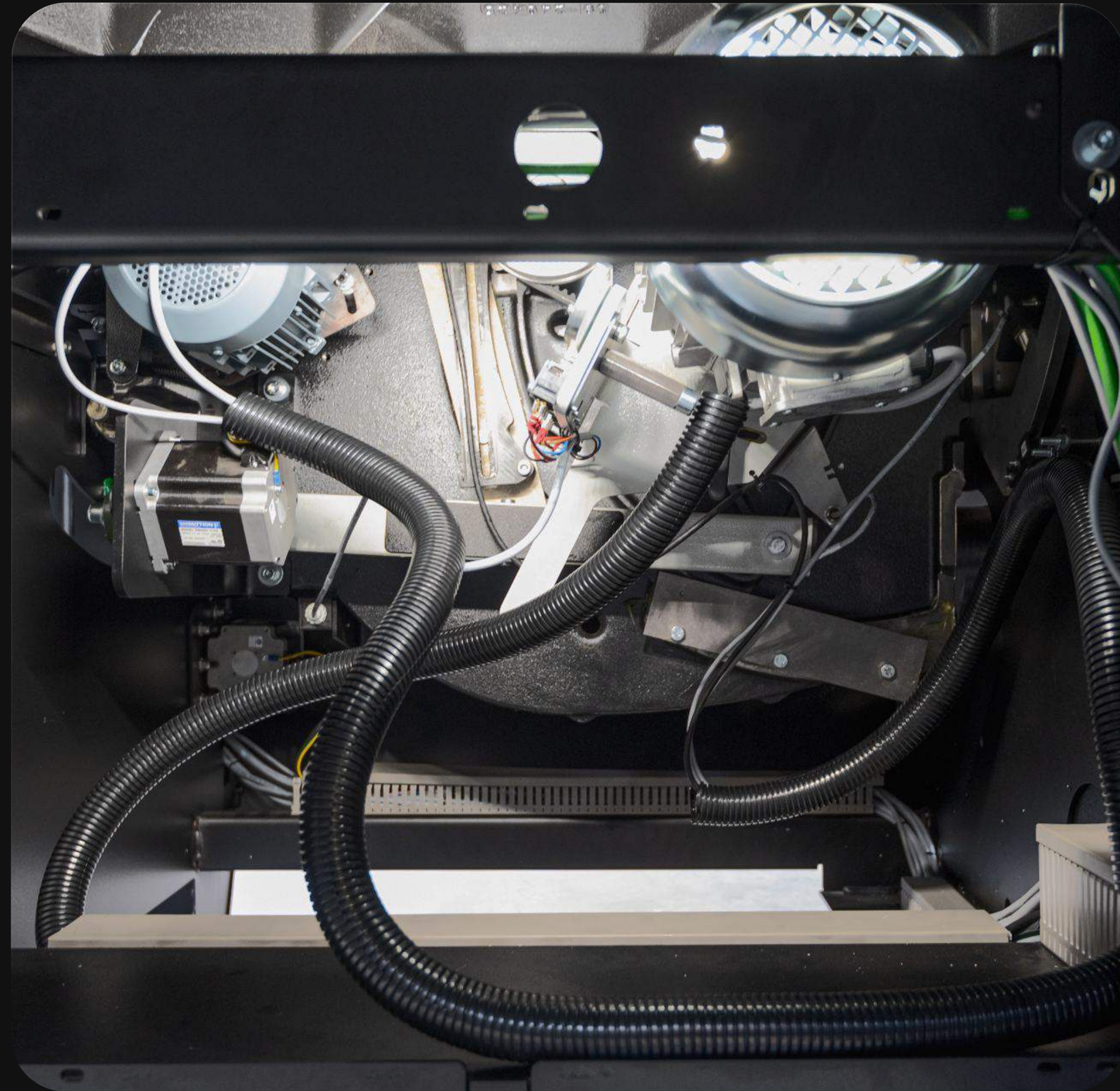


MORE PRECISION. LESS EFFORT.

# Saw unit

- New ProLock system — change saw blades without a key.
- The classic tool holder option remains.
- Larger flange for greater stability and accuracy.
- Scoring cutter now lockable via the table — safer and easier to adjust.
- LED lighting and AutoRits remain standard.





SLIMMER OPGEBOUWD.

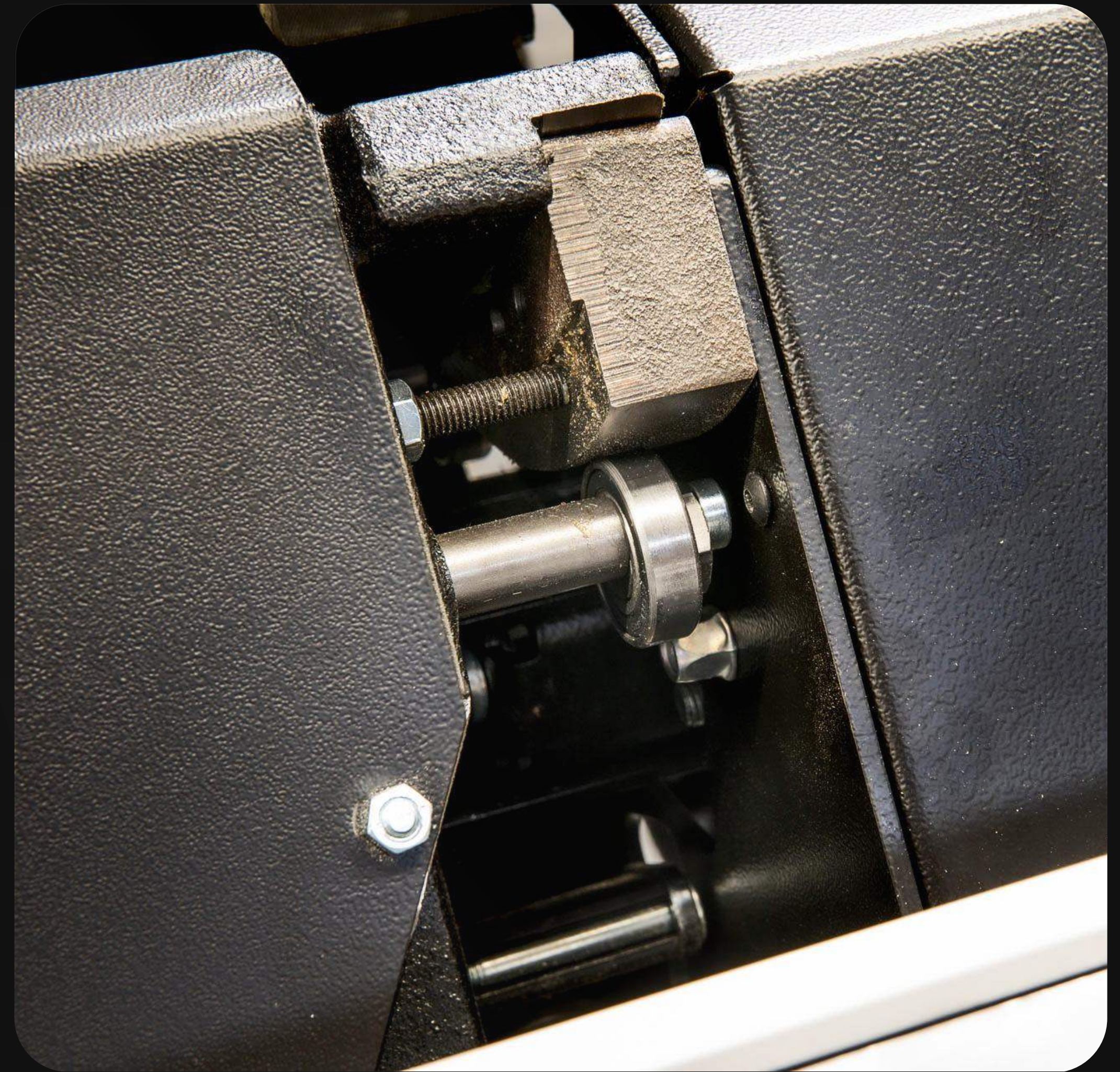
## Electrisch

- Snellere aansluiting via WAGO-klemmen of optionele stekker.
- Verbeterde kabelrouting voor nettere opbouw en eenvoudiger onderhoud.
- LED-verlichting in het frame — standaard op elke machine.

SMALL CHANGE. BIG DIFFERENCE.

# Saw aggregate

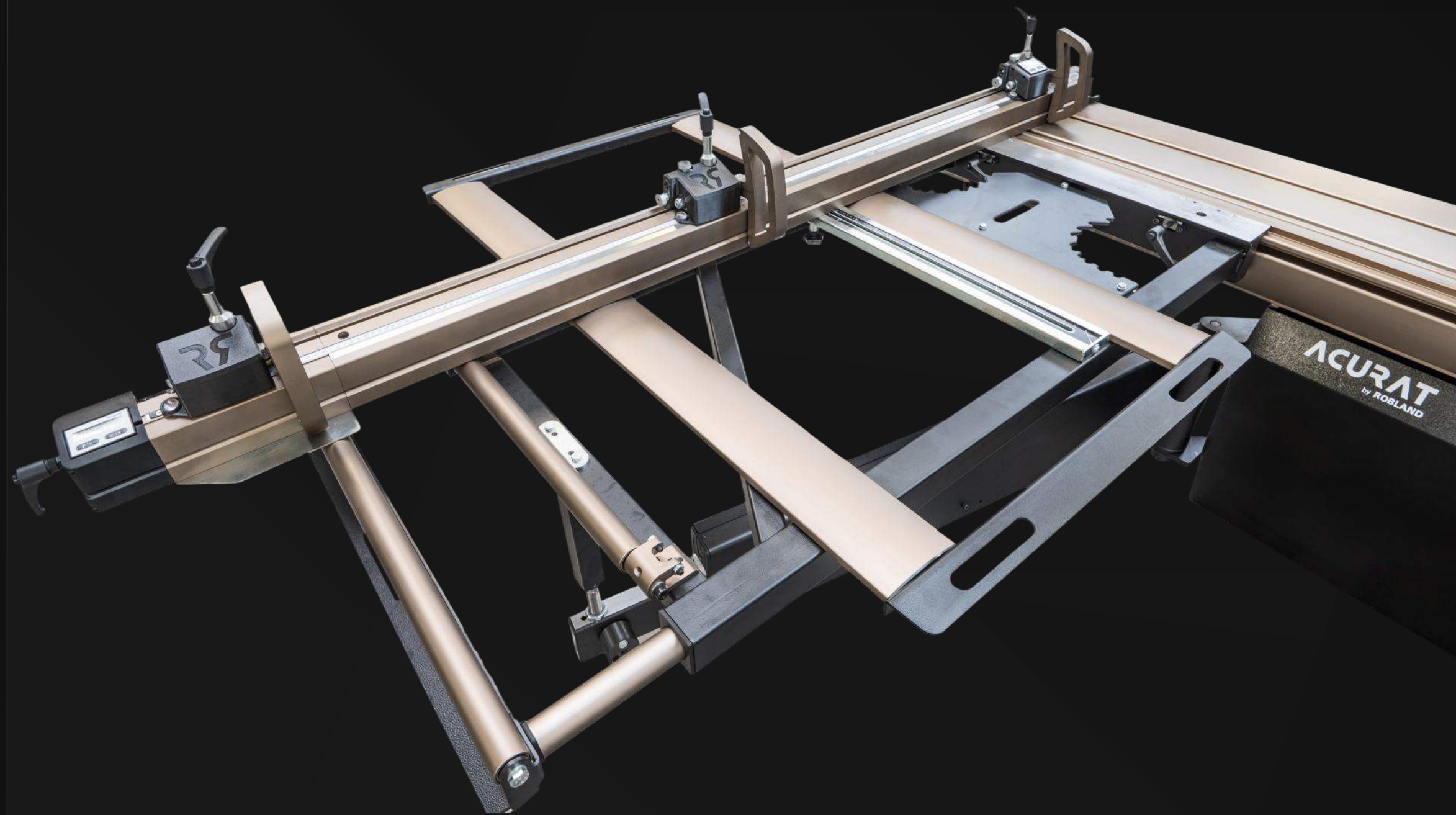
- Bearings on the shells enlarged from 28 to 35 mm.
- Quieter, more stable, and smoother cutting action.
- Less vibration, longer life.
- Easier to adjust — less maintenance, more precision.



DIFFERENCE IN USER EXPERIENCE

# Outrigger table

- More precise fine-tuning for faster, more accurate adjustments.
- Digital keypad batteries now easily accessible.
- Smoother movement thanks to a refined mechanism.
- Less play, a sleeker design, and greater ease of use.



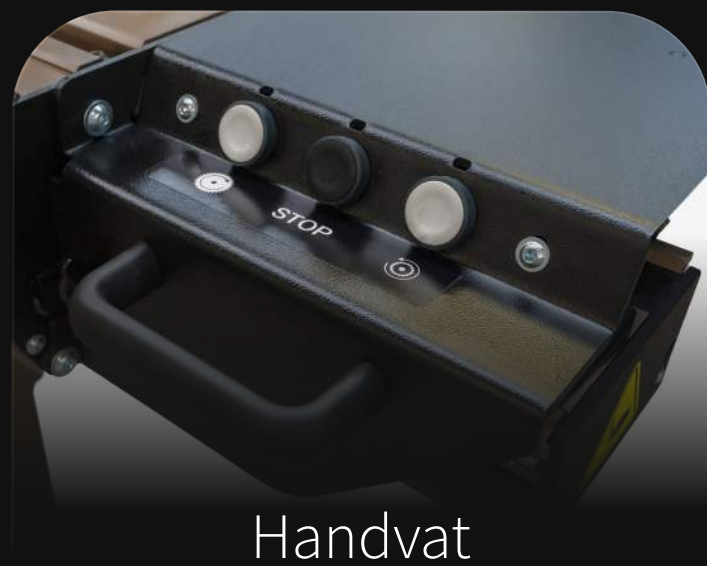
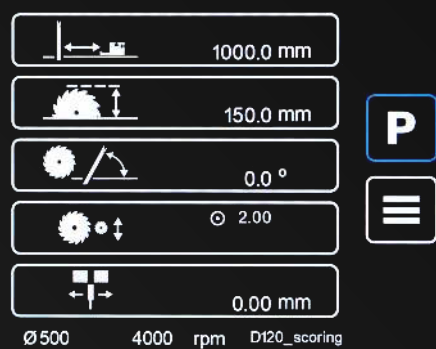
DESIGN THAT REFLECTS PRECISION.

# Look

- Every technically improved component has been redesigned and finished.
- Sleek lines, subtle colors, and controls that blend seamlessly into the design.
- A look that exudes craftsmanship, tranquility, and precision.
- Acurat: machines that look as good as they perform.



Intuitive interface



Handvat

# PANEL SAW Acurat Z500

Crosscut fence



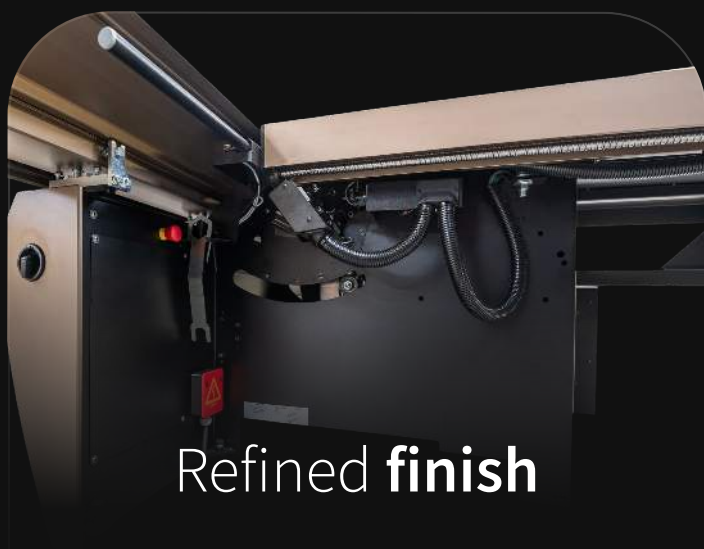
Renewed  
outrigger table



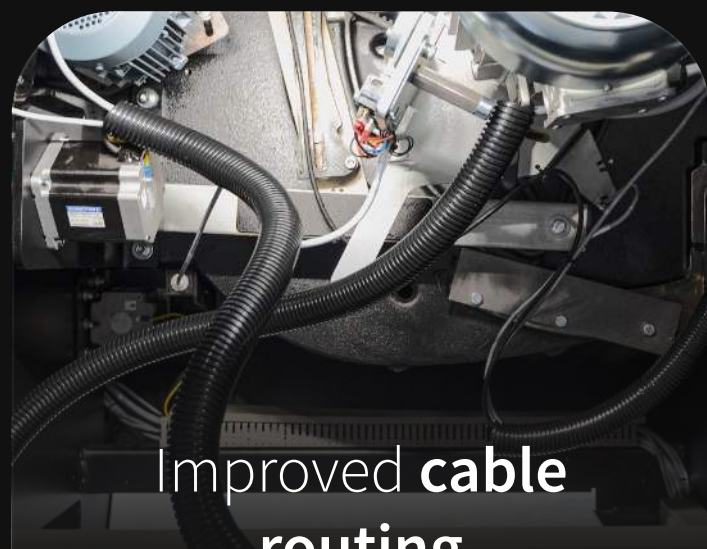
New control with 12" touchscreen



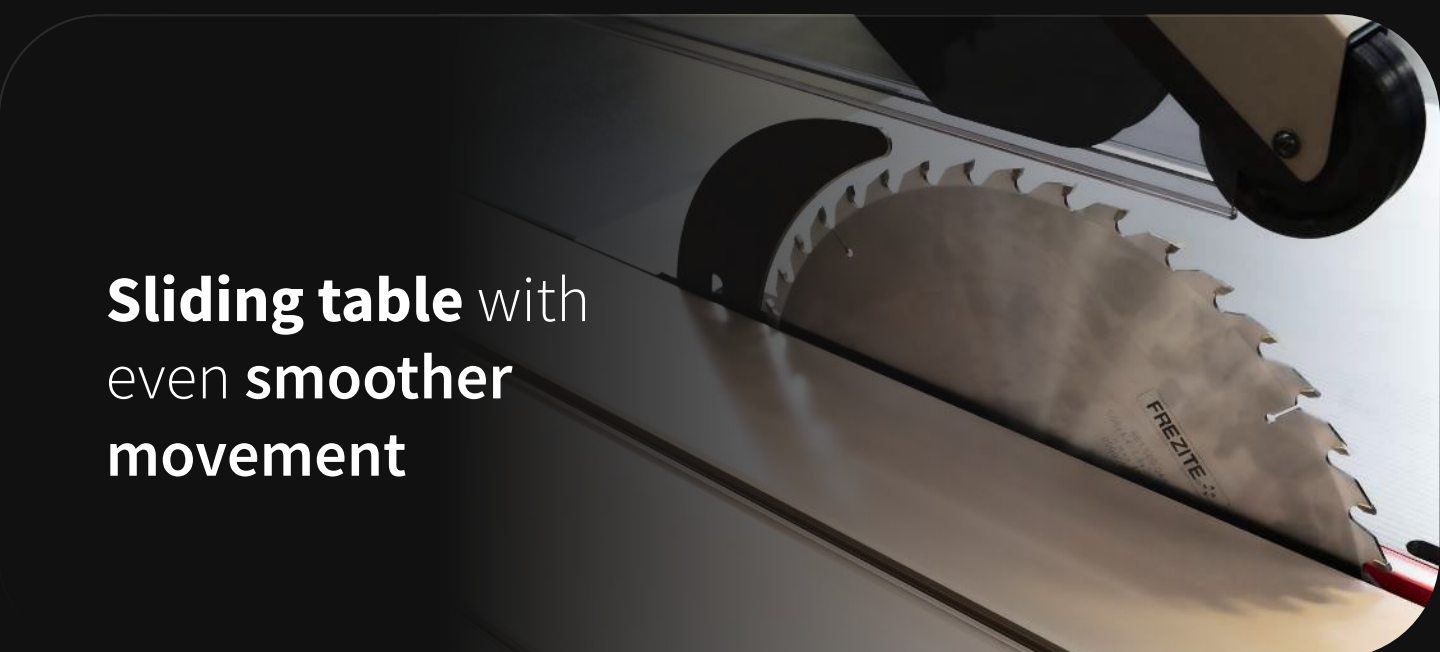
Refined finish



Improved cable routing



Sliding table with even smoother movement



Renewed saw  
Dust extraction



Improved saw unit

